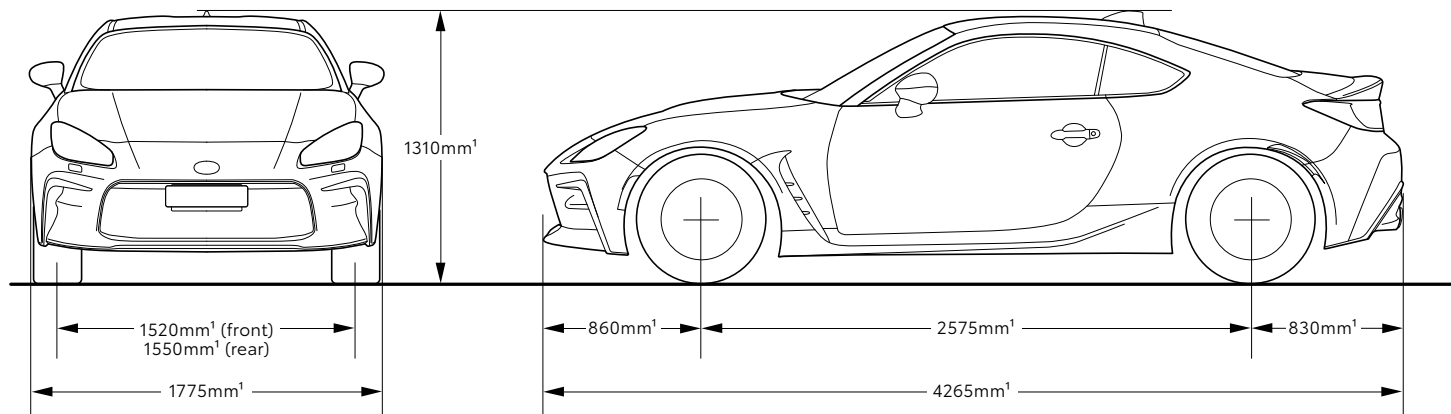


GR86



Please Note: information is accurate as at September 2022.

Specification and imagery are indicative and should only be used as a guide. Vehicle and accessory specification, features, colour and trim may differ at the time of vehicle delivery.



| GR86 | | GT | GTS |
|----------------------------------------|--------------------------------------------------------|---------------------------------------------------------------------------------------------------------------------------------------------------------------------------------------------------------------------------|------------------|
| ENGINE | Description | 2.4L 4-cylinder Boxer (FA24) | |
| | Max power ² (kW@rpm) | 174kW@7000 | |
| | Max torque ² (Nm@rpm) | 250Nm@3700 | |
| | Valve train | 16-valve DOHC | |
| | Bore x stroke (mm) | 94.0 x 86.0 | |
| | Compression ratio | 12.5:1 | |
| FUEL | Fuel consumption ³ – automatic transmission | 8.7L/100km | 8.8L/100km |
| | Fuel consumption ³ – manual transmission | 9.4L/100km | 9.4L/100km |
| | Fuel capacity (L) | 50 | |
| TRANSMISSION | Transmission | 6-speed manual or 6-speed automatic | |
| | Rear LSD Ratio – automatic transmission | 3.909 | |
| | Rear LSD Ratio – manual transmission | 4.1 | |
| STEERING, BRAKES AND SUSPENSION | Power steering system | Electric | |
| | Brake control system | Anti-lock Braking System (ABS) with Electronic Brake-force Distribution (EBD), Brake Assist (BA), Traction Control (TRC), Vehicle Stability Control (VSC), Hill-start Assist Control, Emergency Brake Signal System (ESS) | |
| | Ventilated front and rear brake discs | • | |
| | Front suspension – MacPherson strut type | • | |
| | Rear suspension – Double wishbone | • | |
| | Stabiliser Bar – front | Torsion bar 18mm | |
| | Stabiliser Bar – rear | Torsion bar 15mm | |
| WHEELS | Design and style | 17" alloy wheels | 18" alloy wheels |
| | Puncture repair kit | • | |

| GR86 | | GT | GTS |
|---------------------------------|-------------------------------------------------------------------------|------|------|
| WEIGHTS (APPROXIMATE) | Kerb weight ⁴ (max) – automatic transmission (kg) | 1308 | 1312 |
| | Kerb weight ⁴ (max) – manual transmission (kg) | 1287 | 1291 |
| | Gross vehicle weight ⁴ – automatic transmission (kg) | 1700 | 1700 |
| | Gross vehicle weight ⁴ – manual transmission (kg) | 1670 | 1670 |
| CAPACITIES | Seating capacity | 4 | 4 |
| EXTERIOR | Dual exhaust tail pipes with diffuser | • | • |
| | Power fold and heated outside rear view mirrors | • | • |
| | LED headlamp with auto levelling and headlamp cleaner | • | • |
| | LED Diffused Daytime Running Lights (DRL) | • | • |
| INTERIOR | Black fabric interior | • | |
| | Black Ultrasuede ⁵ and leather accented seats | | • |
| | Driver and front passenger heated seats | | • |
| | Floor mats | • | • |
| | 2 x cup holders | • | • |
| | Manual tilt and telescopic steering wheel adjustment | • | • |
| | Premium 3-spoke steering wheel | • | • |
| | Premium 3-spoke steering wheel with paddle shift (Automatic only) | • | • |
| | Premium shift lever/knob | • | • |
| | Premium parking brake lever | • | • |
| | Door courtesy lamp | | • |
| | Premium door scuff plate | | • |
| | Sports pedals | | • |
| INSTRUMENTS AND CONTROLS | Cruise control | • | • |
| | Driver and front passenger heated seats | | • |
| | Dual-zone automatic climate control air conditioning | • | • |
| | Digital Dash Cluster with 7" colour LCD Multi Information Display (MID) | • | • |
| | Steering wheel controls | • | • |
| | Tyre pressure sensors | • | • |
| | Smart entry and start system | • | • |
| SAFETY | 7 SRS airbags | • | • |
| | Seat belt warning (Driver and front passenger) | • | • |
| | Reversing camera | • | • |
| | Automatic High Beam – automatic only | • | • |
| | Automatic Emergency Braking (AEB) – automatic only | • | • |
| | Lane Departure Alert – automatic only | • | • |
| | Parking support brake and rear parking sensors – automatic only | • | • |
| | Rear Cross Traffic Alert | | • |
| | Blind Spot Monitor | | • |
| | Anti-lock Braking System (ABS) | • | • |
| | Vehicle Stability Control (VSC) | • | • |
| | Hill-start Assist Control (HAC) | • | • |
| | Anti-lock Braking System (ABS) | • | • |
| SECURITY | Engine immobiliser | • | • |
| MULTIMEDIA | 8" colour touchscreen display with Bluetooth ⁶ connectivity | • | • |
| | 2 x USB ⁷ port, 3.5mm AUX ⁷ input | • | • |
| | Apple CarPlay ⁸ and Android Auto ⁸ | • | • |
| | 6 speakers | • | • |

1 Weights/mass/volumes/dimensions are approximate and subject to individual vehicle variances, and should be confirmed before fitting any accessories, towing or otherwise relying on this value.

2 Power and torque test standards differ. Ensure comparisons use same test standard.

3 Achieved in test conditions for comparison purposes only. Actual fuel consumption varies depending on driving conditions/style, vehicle condition, load and options/accessories fitted. Source: ADR81/02 combined (L/100km).

4 Weights/mass/volumes/dimensions are approximate and subject to individual vehicle variances, and should be confirmed before fitting any accessories, towing or otherwise relying on this value.

5 Ultrasuede[®] is a registered trademark owned by Toray Industries, Inc.

6 Bluetooth[®] is a registered trademark of Bluetooth SIG, Inc.

7 Compatibility and functionality varies depending on device.

8 CarPlay[®] is a trademark of Apple, Inc. registered in the U.S. and other countries. Android Auto[™] is a trademark of Google LLC.

IMPORTANT NOTICE – PLEASE READ: Toyota Australia uses its best endeavours to ensure material is correct when published. Check with your authorised Toyota dealer when ordering to ensure the vehicle with your chosen specifications, equipment and colour is available and can be delivered within the timeframe suitable to you. When ordering accessories, check with your authorised Toyota dealer to ensure the accessory's design, features and colours are available and fit your vehicle. Ensure the mass of your load does not exceed the maximum allowable individual axle capacity, Gross Vehicle Mass and/or Gross Combined Mass of the vehicle. Refer to toyota.com.au for further details. Colours displayed are a guide only and may vary from actual colours due to printing/display processes. Certain accessories when fitted will require the removal of standard equipment, which may be retained by Toyota Australia or your Toyota Dealer. Toyota Australia reserves the right to change, without notice, prices, colours, materials, equipment, specifications and discontinue colours/models. To the extent permitted by law, Toyota Australia will not be liable for any damage, loss or expense incurred as a result of reliance on this material in any way. Distributed nationally (other than in Western Australia) by Toyota Motor Corporation Australia Limited ABN 64 009 686 097, 155 Bertie St, Port Melbourne 3207. Material distributed in Western Australia by or on behalf of Prestige Motors Pty Ltd (for vehicles) and by Eastpoint Pty Ltd (for parts/accessories). Toyota Australia makes no warranties regarding (and will not be liable for) accuracy of materials distributed in Western Australia. PROOF HQ: T2022-019064. GTP-006514. VERSION: SEPTEMBER 2022.